

◆ → ROUND CORNER COMPRESSION SYSTEM

The Unique Hawke Round Corner Compression System is used in HMCX rectangular frames to compress and seal the installation of cables/pipes and HF modules. It is composed by:

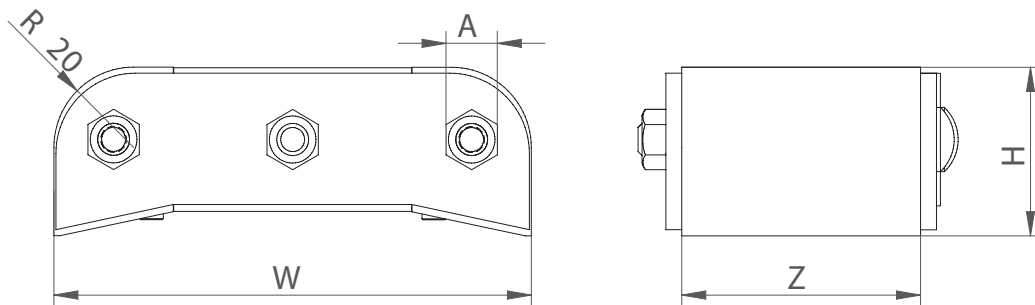
- **Endpacker:** The final element of the frame installation, this is inserted above the compression plate. The tightening of the bolts and the steel insert pins provides pressure to the system and ensures correct sealing.
- **Compression plate:** Placed on top of the last row of blocks, this plate distributes the pressure from the endpacker to ensure the correct compression is applied to the system.



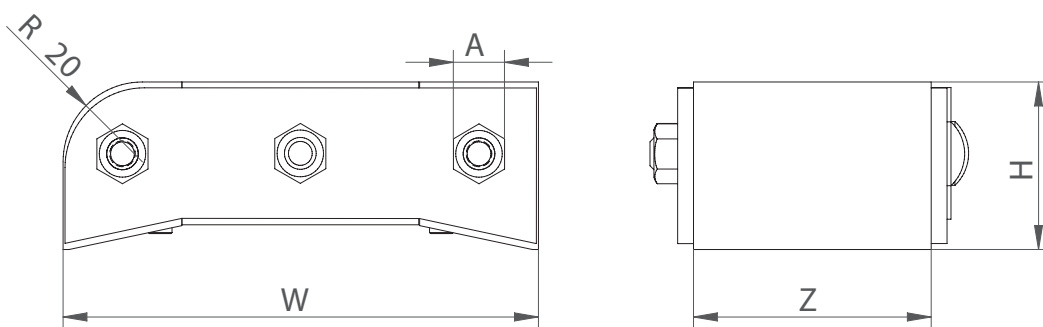
CHARACTERISTICS

- ◆ Available in the following variants; RR (Right round corner), LR (Left round corner) and DR (Double rounded), for the different kinds of apertures within a HMCX frame.
- ◆ Designed to be installed within HMCX apertures.
- ◆ Materials: Mild Steel, Stainless Steel.

◆ → Endpacker double rounded 1642B DR

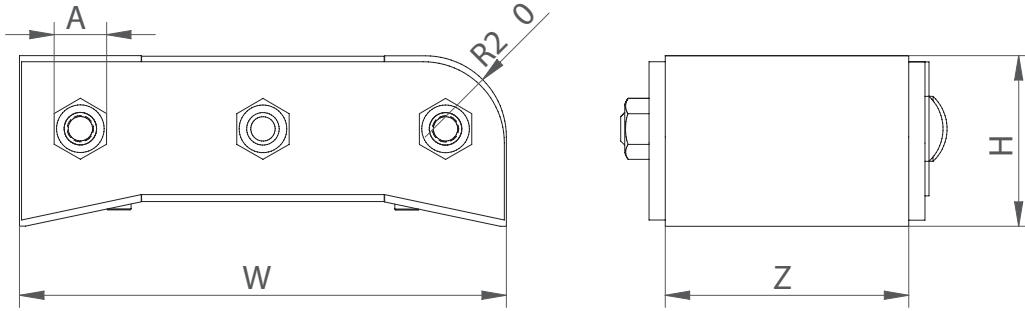


◆ → Endpacker left round corner 1642B LR

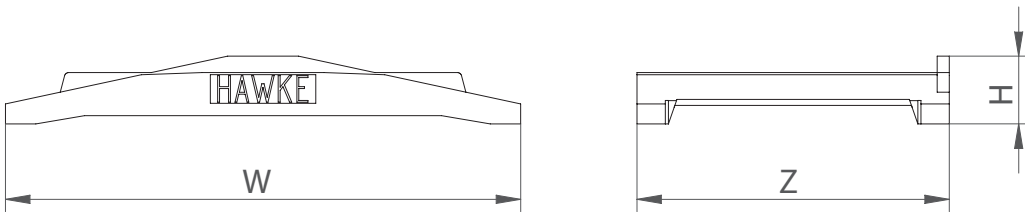


ROUND CORNER COMPRESSION SYSTEM

◆ → Endpacker right round corner 1642B RR



◆ → Compression plate 1642A



DESCRIPTION		External dimensions				A	Weight (kg)	
		Qty	W [mm]	H [mm]	Z [mm]		Mild steel	Stainless steel
Compression System Double Round/1642 DR	Endpacker/1642B DR	1	120	42		13	0,8	0,8
	Compression Plate/1642A	1	127	17	77	-	0,4	0,4
Compression System Left Round/1642 LR	Endpacker/1642B LR	1	120	42		13	0,8	0,8
	Compression Plate/1642A	1	127	17	77	-	0,4	0,4
Compression System Right Round/1642 RR	Endpacker/1642B RR	1	120	42		13	0,8	0,8
	Compression Plate/1642A	1	127	17	77	-	0,4	0,4

* For spare parts adquisition, contact sales department