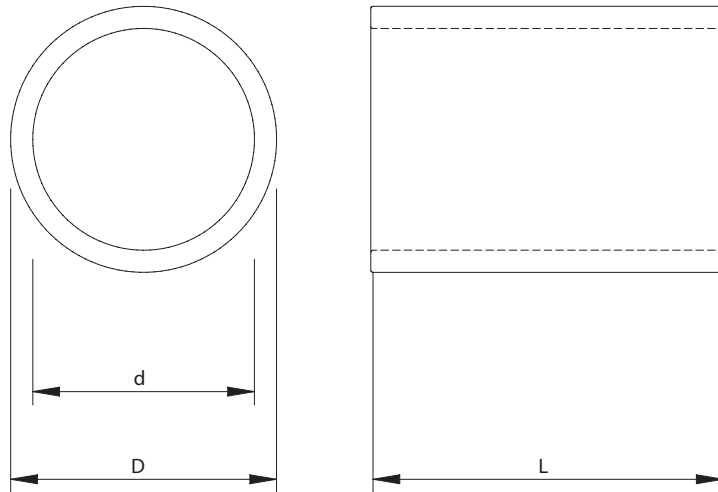


C Marine Sleeve

Sleeve without flange for Hawke Round transits.

CHARACTERISTICS

- ◆ Designed to be welded.
- ◆ Materials: Mild Steel, Stainless Steel and Aluminium
- ◆ To be sealed with standard or EMC HRT/HRTO and HRST.



Mild Steel

| DESCRIPTION | d (mm) | D (mm) | L (mm) | Weight (kg) |
|---------------|--------|--------|--------|-------------|
| MSC -30 L=80 | 34 | 42 | 80 | 0,3 |
| MSC -40 L=80 | 40 | 50 | 80 | 0,4 |
| MSC -50 L=80 | 50 | 60 | 80 | 0,5 |
| MSC -70 L=80 | 70 | 80 | 80 | 0,7 |
| MSC -100 L=80 | 100 | 110 | 80 | 1,0 |
| MSC -125 L=80 | 125 | 140 | 80 | 2,0 |
| MSC -150 L=80 | 150 | 171 | 80 | 3,3 |
| MSC -175 L=80 | 175 | 193,7 | 80 | 3,4 |
| MSC -200 L=80 | 200 | 220 | 80 | 4,1 |

*All dimensions are nominal values

C Marine Sleeve

Stainless Steel

| DESCRIPTION | d (mm) | D (mm) | L (mm) | Weight (kg) |
|----------------|--------|--------|--------|-------------|
| SS C -30 L=80 | 33 | 42 | 80 | 0,3 |
| SS C -40 L=80 | 40 | 50 | 80 | 0,4 |
| SS C -50 L=80 | 50 | 60,3 | 80 | 0,6 |
| SS C -70 L=80 | 70 | 88,9 | 80 | 1,5 |
| SS C -100 L=80 | 100 | 114,3 | 80 | 1,5 |
| SS C -125 L=80 | 125 | 141,3 | 80 | 2,2 |
| SS C -150 L=80 | 150 | 168,3 | 80 | 2,9 |
| SS C -175 L=80 | 175 | 194 | 80 | - |
| SS C -200 L=80 | 200 | 220 | 80 | 4,2 |

*All dimensions are nominal values

Aluminium

| DESCRIPTION | d (mm) | D (mm) | L (mm) | Weight (kg) |
|----------------|--------|--------|--------|-------------|
| AL C -30 L=80 | 33 | 45 | 80 | 0,2 |
| AL C -40 L=80 | 40 | 50 | 80 | 0,2 |
| AL C -50 L=80 | 50 | 60 | 80 | 0,2 |
| AL C -70 L=80 | 70 | 80 | 80 | 0,3 |
| AL C -100 L=80 | 100 | 110 | 80 | 0,4 |
| AL C -125 L=80 | 125 | 135 | 80 | 0,4 |
| AL C -150 L=80 | 150 | 170 | 80 | 1,1 |
| AL C -175 L=80 | 175 | 190 | 80 | 0,9 |
| AL C -200 L=80 | 200 | 220 | 80 | 1,4 |

*All dimensions are nominal values

Installation references

| | page |
|--------------------------|------|
| See assembly parts | 66 |
| See round frame HRTO | 50 |
| See round frame HRST | 52 |
| See accessories | 76 |
| See installation guide | 116 |
| See welding instructions | 152 |
| See inspection check | 160 |