

→ COMPRESSION SYSTEM

The Unique Hawke EMC Compression Systems are used in rectangular frames to compress and seal the installation of cables/pipes and HF EMC modules when electromagnetic compatibility is needed.

- **Endpacker:** The final element of the frame installation, this is inserted above the compression plate. The tightening of the bolts and the steel insert pins provides pressure to the system and ensures correct sealing.

Silver-loaded paint and copper strip wrapping ensures effective shielding.

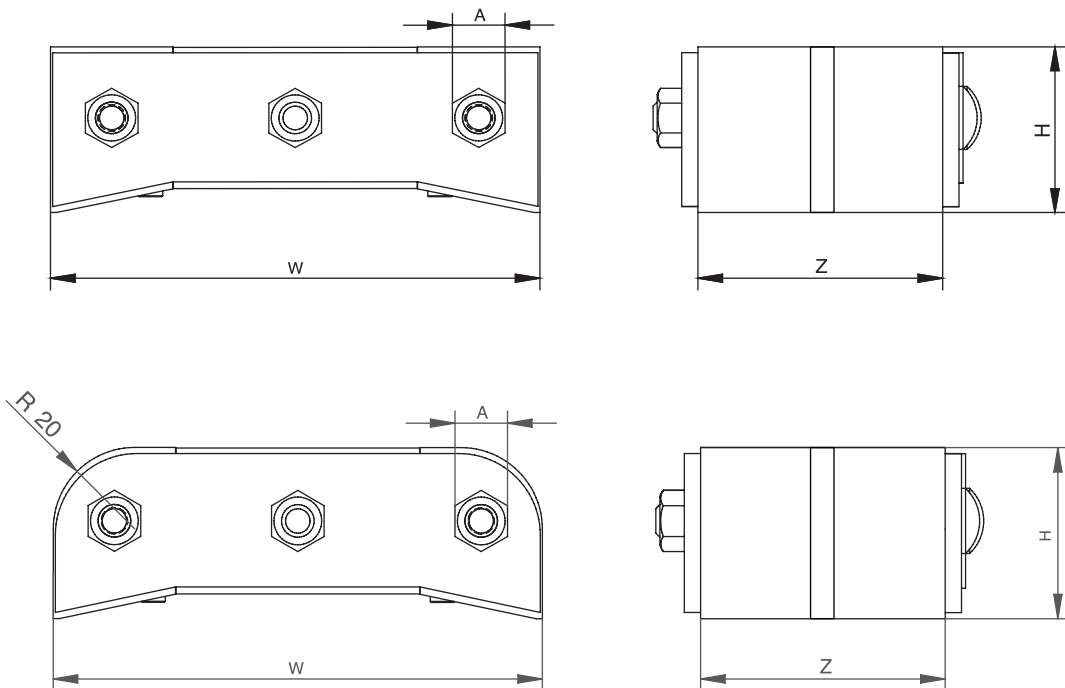
- **Compression plate:** Placed on the top of the last row of blocks, this plate distributes the pressure from the endpacker to the whole system.



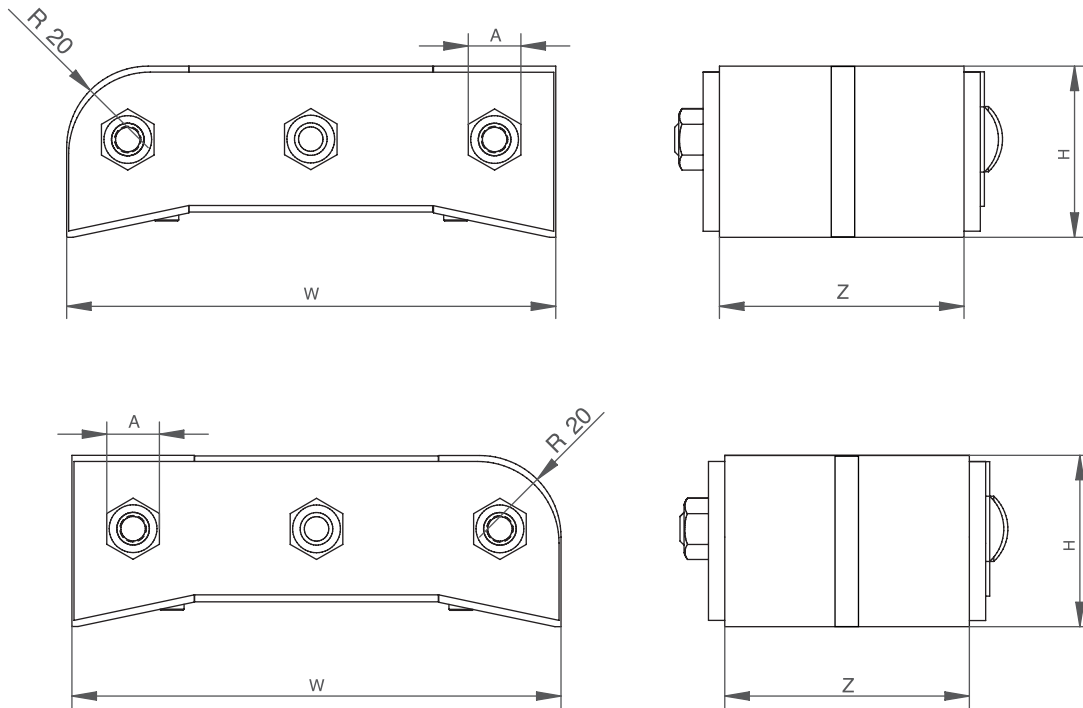
CHARACTERISTICS

- ◆ Available in the different models: Standard, RR (Right round corner), LR (Left round corner) and DR (Double rounded), for the different kind of apertures in a frame.
- ◆ Designed to be installed in all rectangular apertures.
- ◆ Materials: Stainless Steel.

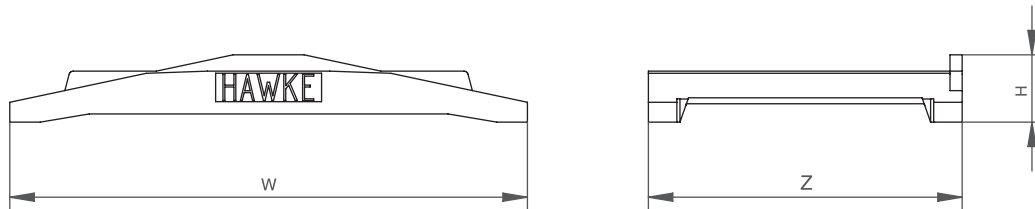
◆ → Endpacker 1642B/ES



→ COMPRESSION SYSTEM



→ Compression plate 1642A/ES



DESCRIPTION		External dimensions				A	Weight (kg)	
		Qty	W [mm]	H [mm]	Z [mm]		Mild steel	Stainless steel
Compression System 1642/ES 120 mm	Endpacker/1642B/ES 120	1	120	42	60	13	0,8	0,8
	Compression Plate/1642A/ES 120	1	127	17	77	-	0,4	0,4
Compression System Double Round/1642/ES DR	Endpacker/1642B/ES DR	1	120	42		13	0,8	0,8
	Compression Plate/1642A/ES	1	127	17	77	-	0,4	0,4
Compression System Left Round/1642/ES LR	Endpacker/1642B/ES LR	1	120	42		13	0,8	0,8
	Compression Plate/1642A/ES	1	127	17	77	-	0,4	0,4
Compression System Right Round/1642/ES RR	Endpacker/1642B/ES RR	1	120	42		13	0,8	0,8
	Compression Plate/1642A/ES	1	127	17	77	-	0,4	0,4

* For separate parts acquisition, contact sales department